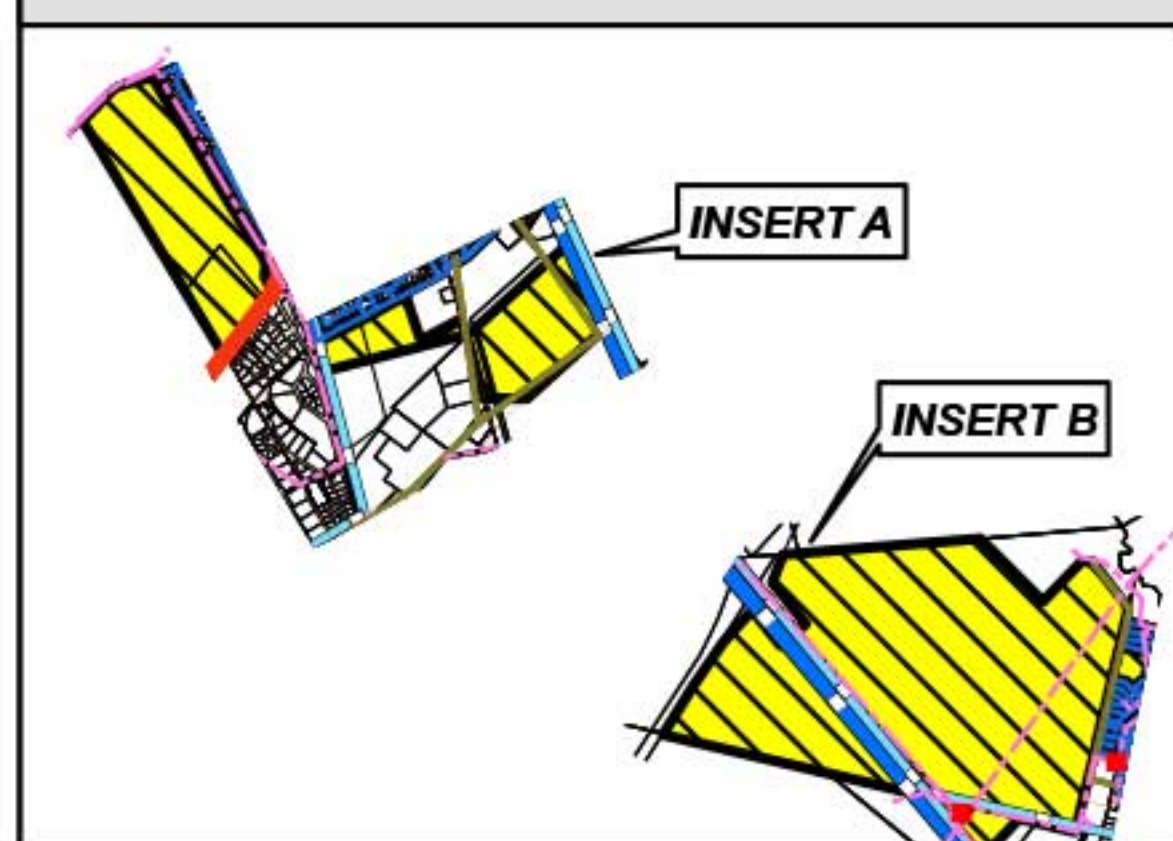


### FUTURE DEVELOPMENT AREA

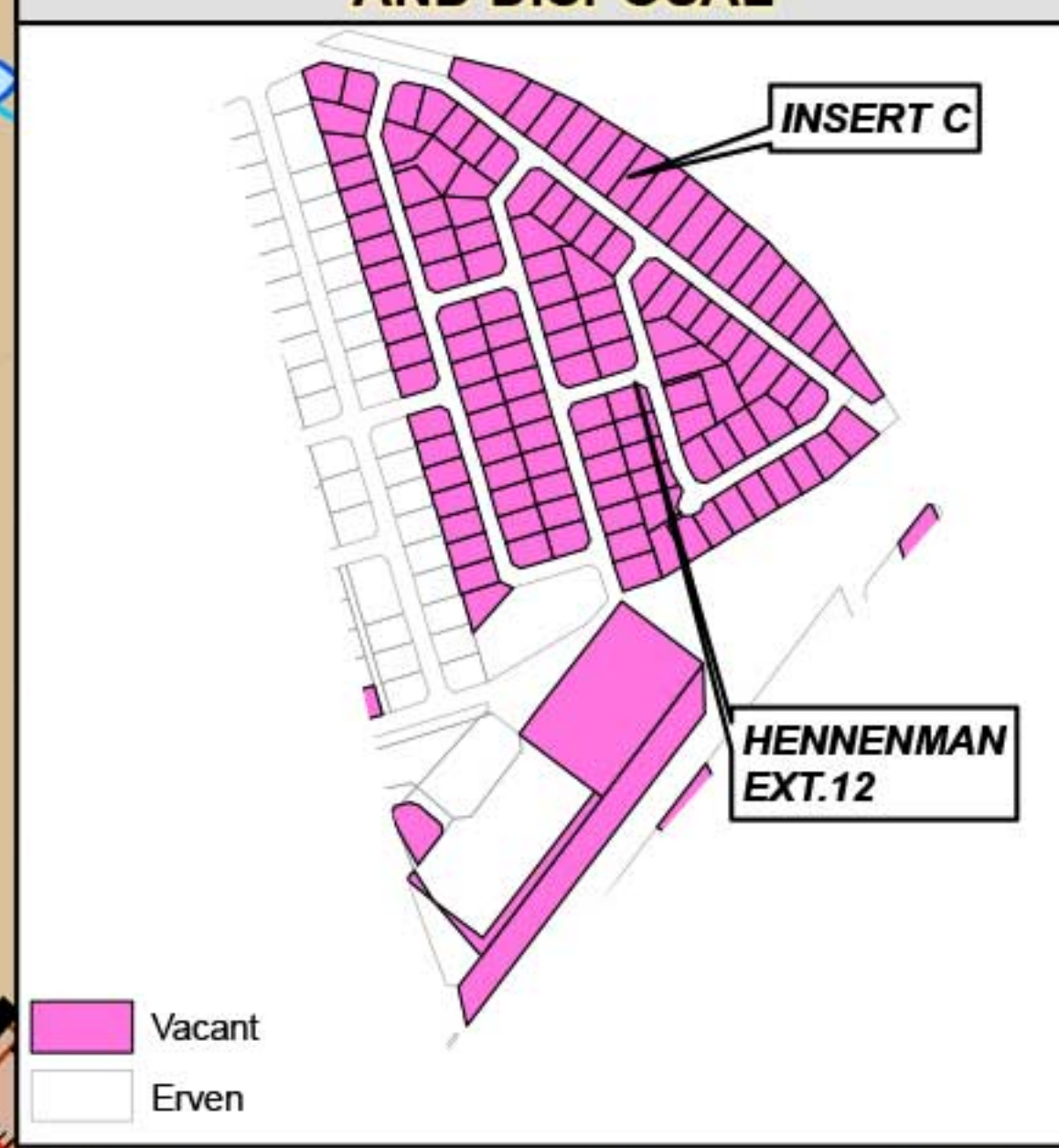


**Legend**

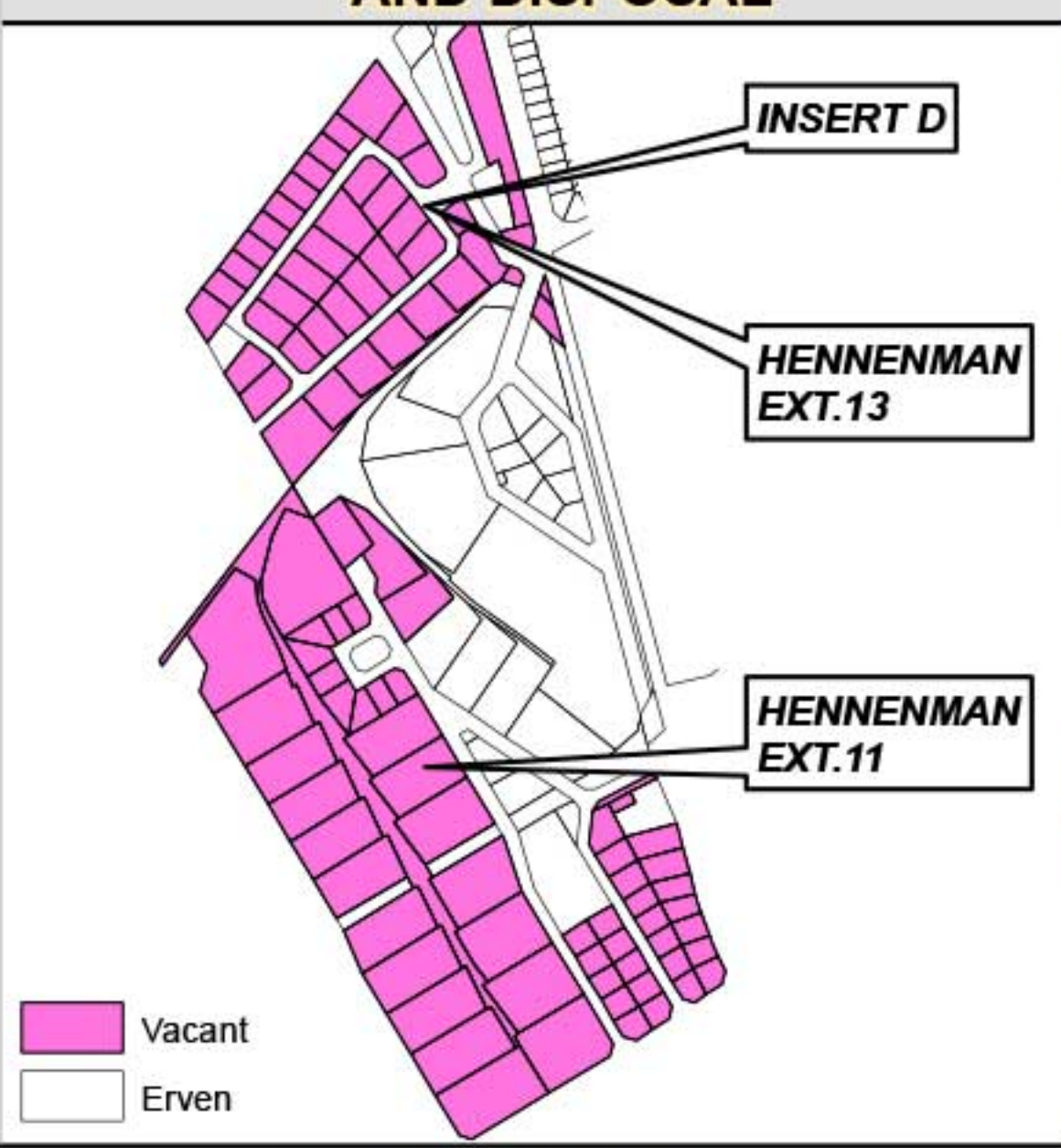
Future Urban Development	Sewer Lines	Bulk Sanitation Pipeline	Sidibeng Water Lines
Power Substations	Bulk San Pipeline	Bulk Water Pipeline	Provincial Roads
Eskom MV Lines	Water Lines		

FARM NAME:	EXTENT:	OWNERSHIP:
Insert A Vredfontein No. 428 Schoolplaatz Zuid No. 71	213.49 ha	PRIVATE
Insert B Ventersvlakte 740	424.74 ha	PRIVATE

### RESIDENTIAL REDESIGN AND DISPOSAL



### INDUSTRIAL REDESIGN AND DISPOSAL



### LEGEND EXISTING LANDUSE

- Existing Residential Development
- Business
- Commonage
- Community Facility
- Education
- Government Purposes
- Industrial
- Mining Activities
- Municipal Purposes
- Open Space Private
- Open Space Public
- Railways
- Recreational
- Services and Utilities
- Vacant
- Holdings
- Mines
- Land Reform Projects
- Conservation Area
- Agricultural
- CBD

- Proposed Future Road
- Development Corridor
- Future Urban Development
- Informal Settlement Development
- Mixed Landuse
- Sports Facility
- Urban Agricultural



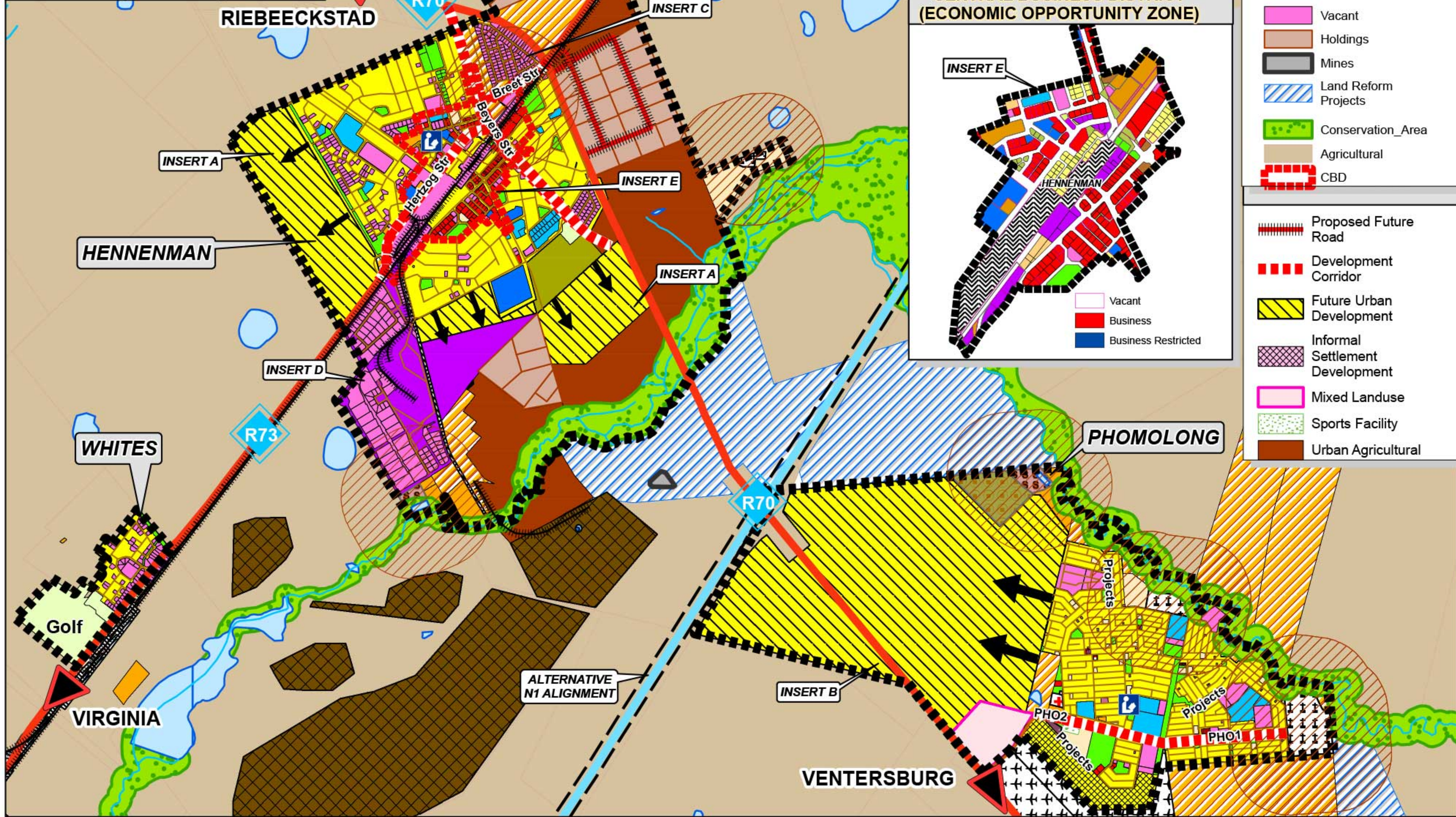
## MATJHABENG LOCAL MUNICIPALITY SPATIAL DEVELOPMENT FRAMEWORK

### SPATIAL DEVELOPMENT FRAMEWORK HENNENMAN /PHOMOLONG/ WHITES

#### Services/Infrastructure/Environmental

- Library
- Provincial Roads
- Access
- Streets
- Rivers
- Railway
- Inland Water
- Airfield
- Cemetery
- Clinic
- Landfill Site
- Reservoir
- Sewer Works
- Taxi Rank
- Cemetery & Sewer Buffer Zones
- Urban Edge

#### LOCALITY MAP



	CLIENT:	DESIGN:	A.KOTZE
		DRAWN:	M.PERSHOUSE
		APPROVED:	A.KOTZE
		COPYRIGHT RESERVED	
	SCALE:	DATE:	November 2013
	1:37 000		
	DRAWING NO:	<b>Map 5</b>	
		0 0,225 0,45 0,9 1,35 1,8 km	